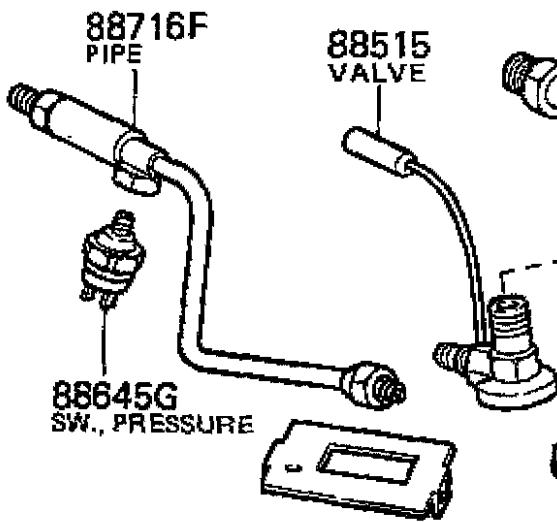
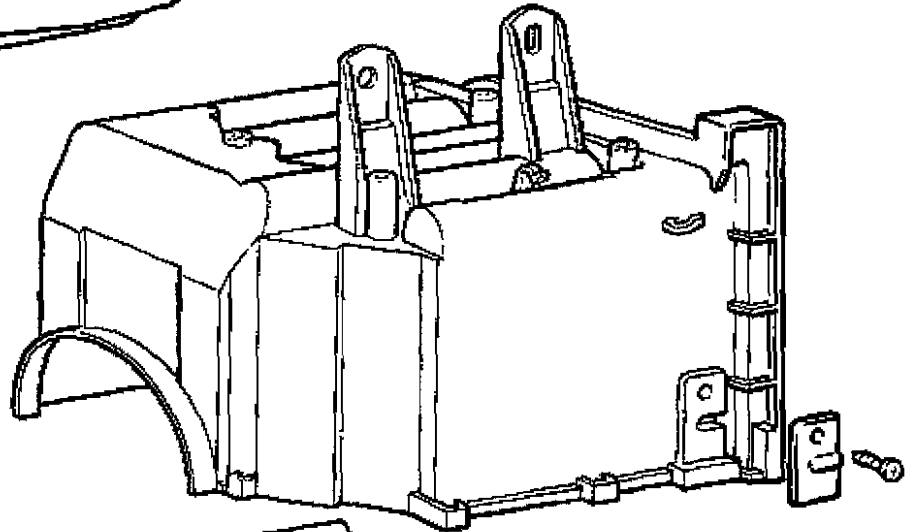
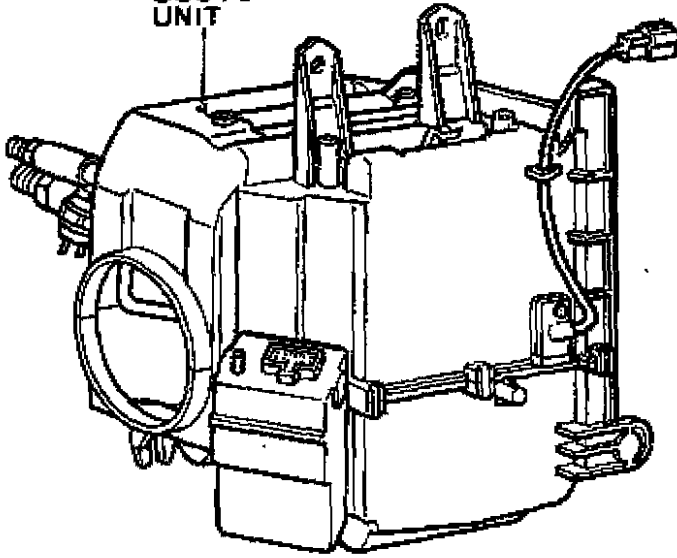


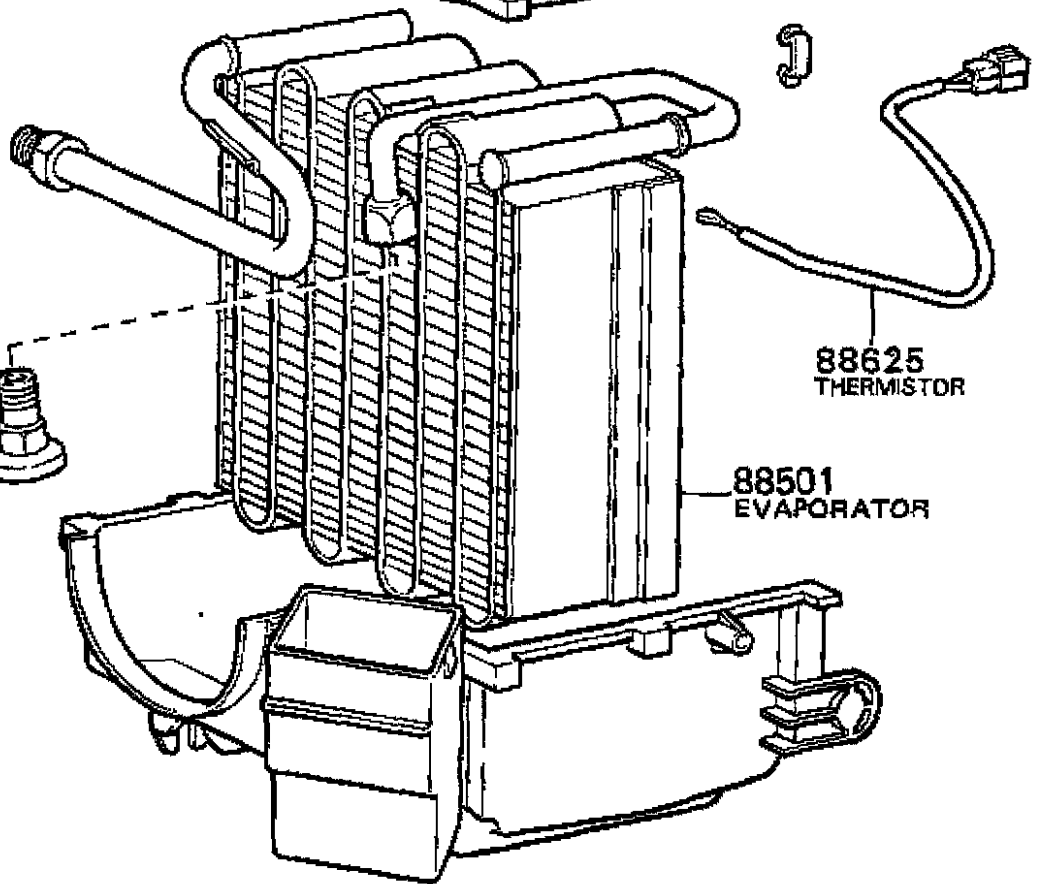
88510
UNIT



88716F
PIPE

88515
VALVE

88645G
SW., PRESSURE



88625
THERMISTOR

88501
EVAPORATOR

※ 88650
AMPLIFIER (No.1)

※ AE85
AE86 (W/O Power Steering)